

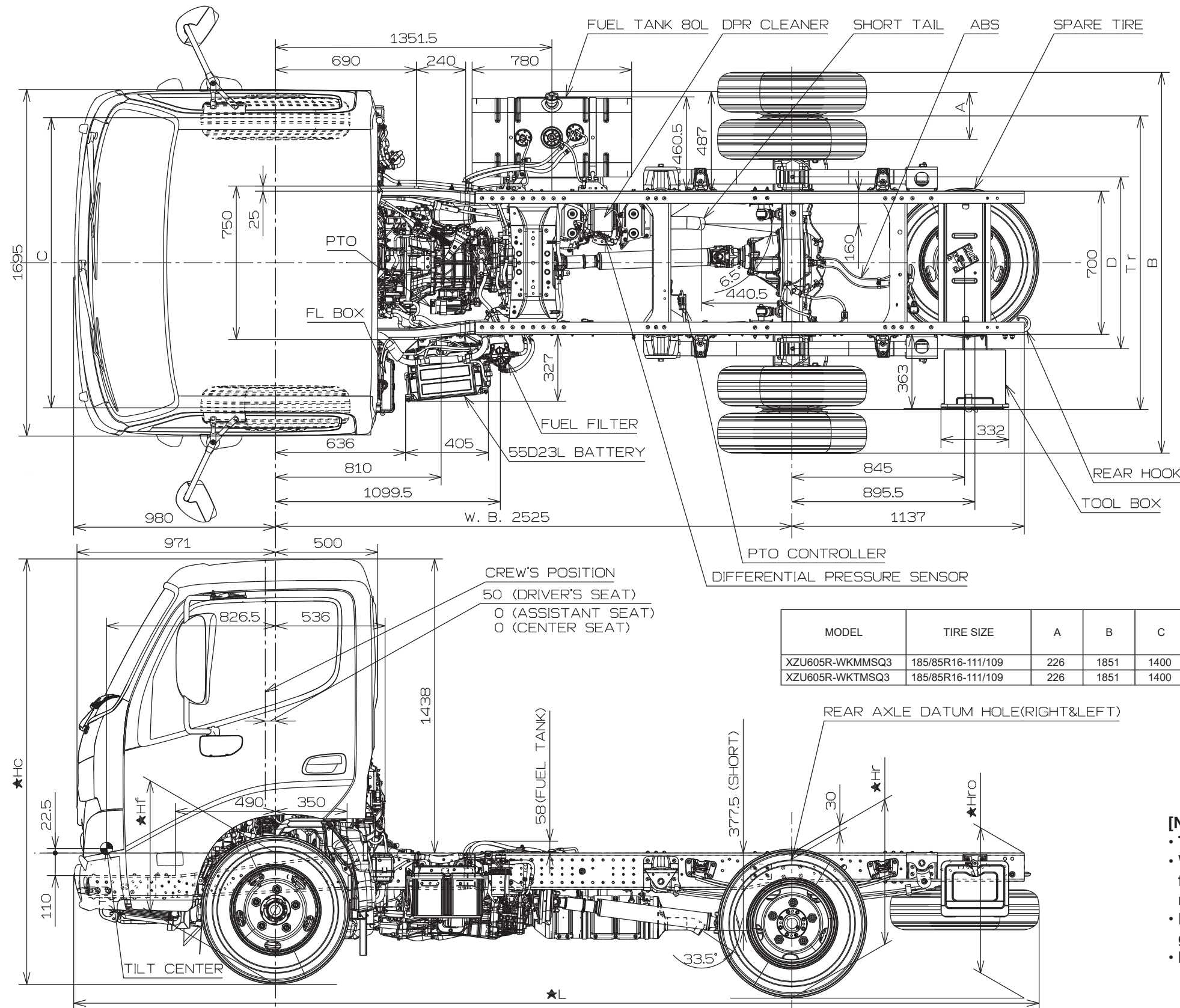
## 300 Series MY20 Cab & Chassis drawings

Model	616 STD CAB	
Variant	Product Code	Chassis drawing
616 MT 2525 STD	XZU605R-WKMMSQ3	CH-1
616 AT 2525 STD	XZU605R-WKTMSQ3	CH-1
616 AT 3375 STD	XZU655R-WKTMSQ3	CH-2

3. CHASSIS DRAWINGS

No. CH-1

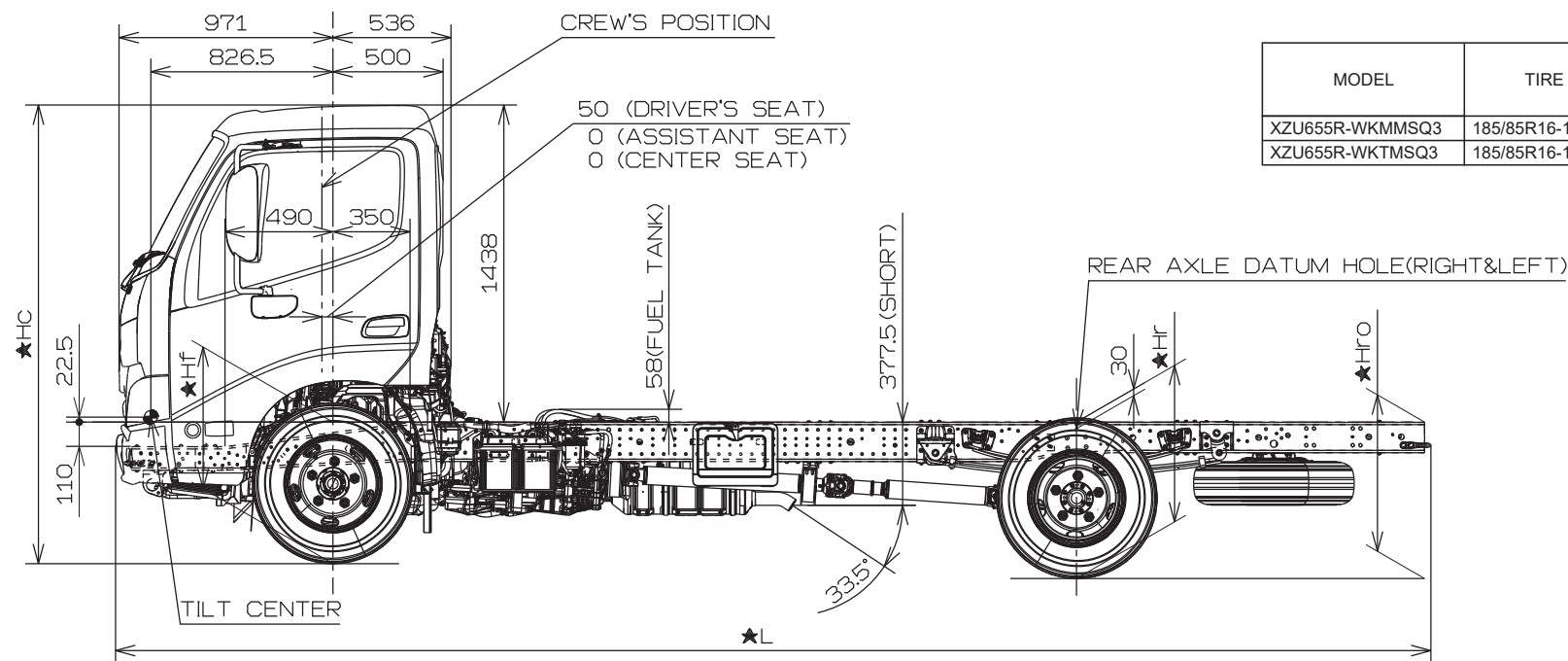
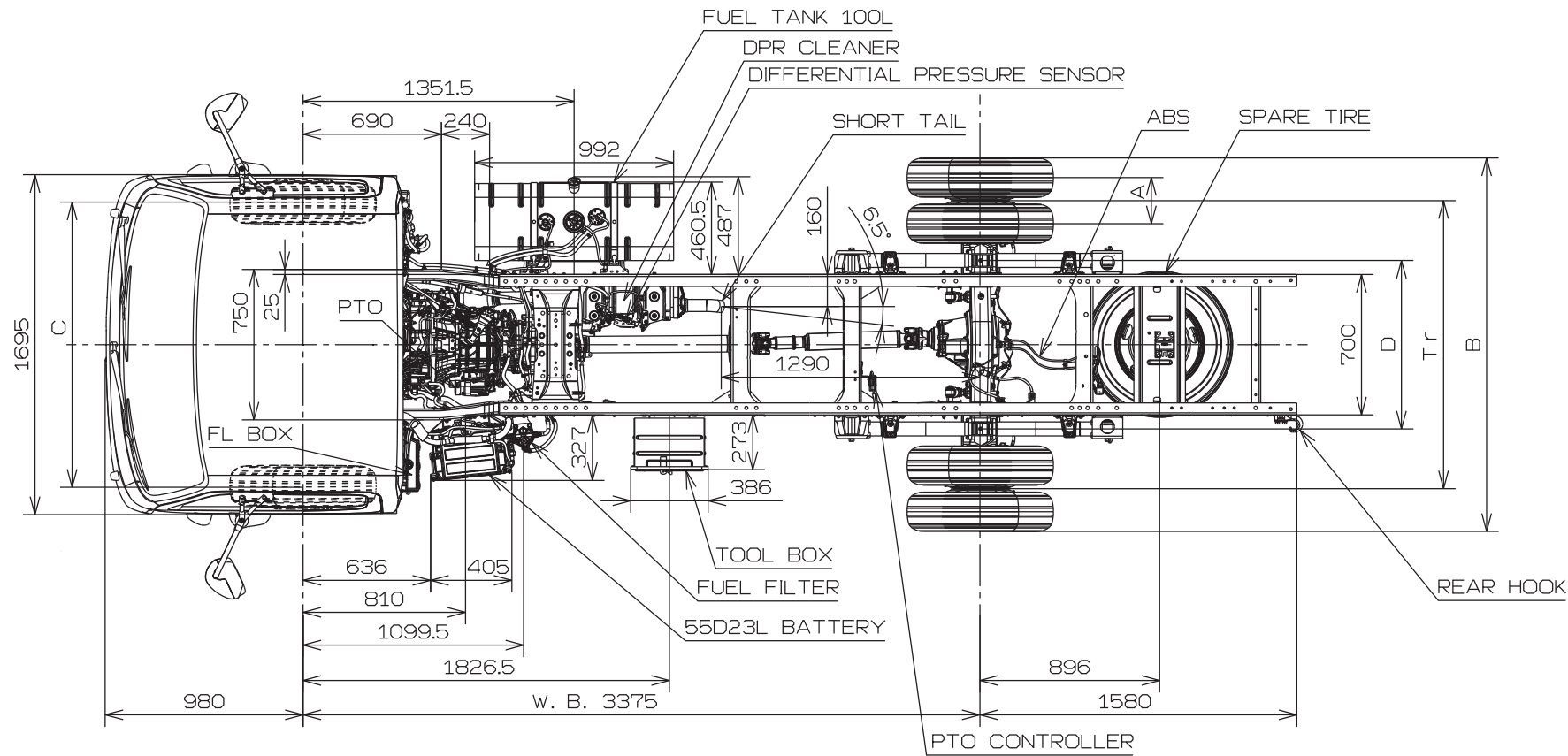
Unit : mm



MODEL	TIRE SIZE	A	B	C	D	Tr	DETAIL OF ★L				★L	★Hc		★Hf	★Hr	★Hro
							FRAME	HOOK	SPARE TIRE	Rr. BUMPER		ROOF	LAMP			
XZU605R-WKMMSQ3	185/85R16-111/109	226	1851	1400	840	1435	4640	4670	4710	-	4710	2101	-	661	693	707
XZU605R-WKTMSQ3	185/85R16-111/109	226	1851	1400	840	1435	4640	4670	4710	-	4710	2100	-	659	692	707

[NOTE]

- The dimensions described above are designed figure under the chassis condition.
- When selected or fitted optional equipment or local parts such as tire, leaf spring, fuel tank and etc., should be examined the frame height from ground by body manufacturer.
- Figures marked "★" dimensions are measured in parallel with the surface of the ground.
- In case of T/M A860E, see the CAB BACK drawing.



MODEL	TIRE SIZE	A	B	C	D	Tr	DETAIL OF ★L				★L	★Hc		★Hf	★Hr	★Hro
							FRAME	HOOK	SPARE TIRE	Rr. BUMPER		ROOF	LAMP			
XZU655R-WKMMSQ3	185/85R16-111/109	226	1851	1400	840	1435	5935	5965	-	-	5965	2097	-	657	692	708
XZU655R-WKTMSQ3	185/85R16-111/109	226	1851	1400	840	1435	5935	5965	-	-	5965	2095	-	656	692	709

[NOTE]

- The dimensions described above are designed figure under the chassis condition.
- When selected or fitted optional equipment or local parts such as tire, leaf spring, fuel tank and etc., should be examined the frame height from ground by body manufacturer.
- Figures marked "★" dimensions are measured in parallel with the surface of the ground.
- In case of T/M A860E, see the CAB BACK drawing.